

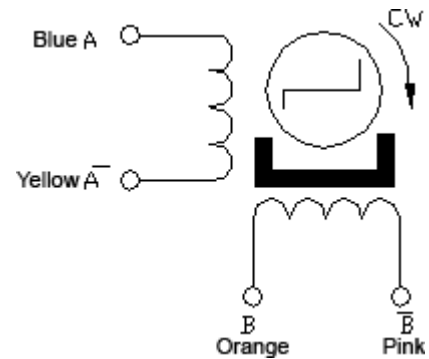
TGM24-056-19-5V-020A-64R-LW4



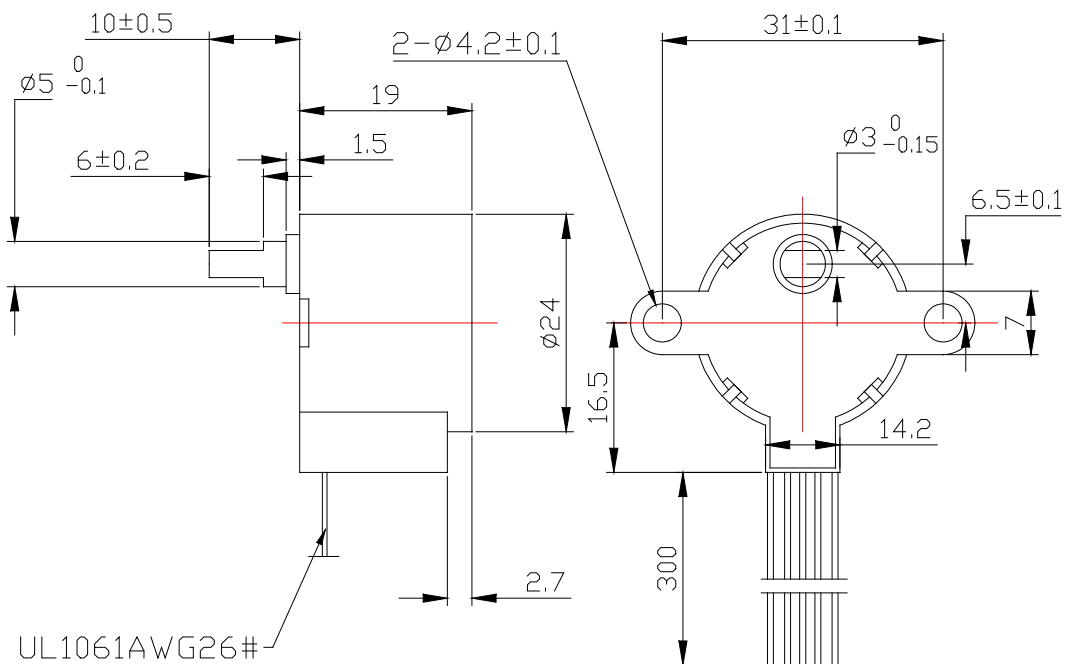
- Permanent Magnet Stepper Gearmotor
- High Torque in a Small Package at a Low Cost
- 300 g-cm of Torque
- 64:1 Gear Ratio
- 24mm Diameter
- 100 Piece Minimum Order Requirement

Specifications

Item	Specifications
Step Angle Accuracy	±7% (Full Step, No Load)
Resistance Accuracy	±10%
Inductance Accuracy	±20%
Temperature Rise	80° C Max
Ambient Temperature	-20°C to +50°C
Insulation Resistance	100MΩ Min. ,500VDC
Dielectric Strength	500VAC for One Minute



Model	Step Angle (deg)	Gear Ratio	# of Wires	Voltage (V)	Current per Phase (A)	Holding Torque (g.cm)	Detent Torque (g.cm)
TGM24-056-19-5V-020A-64R-LW4	5.625	64:1	4	5	0.20	300	150



4985 E. Landon Drive Anaheim, CA 92807
 Tel (714) 992-6990 Fax (714) 992-0471